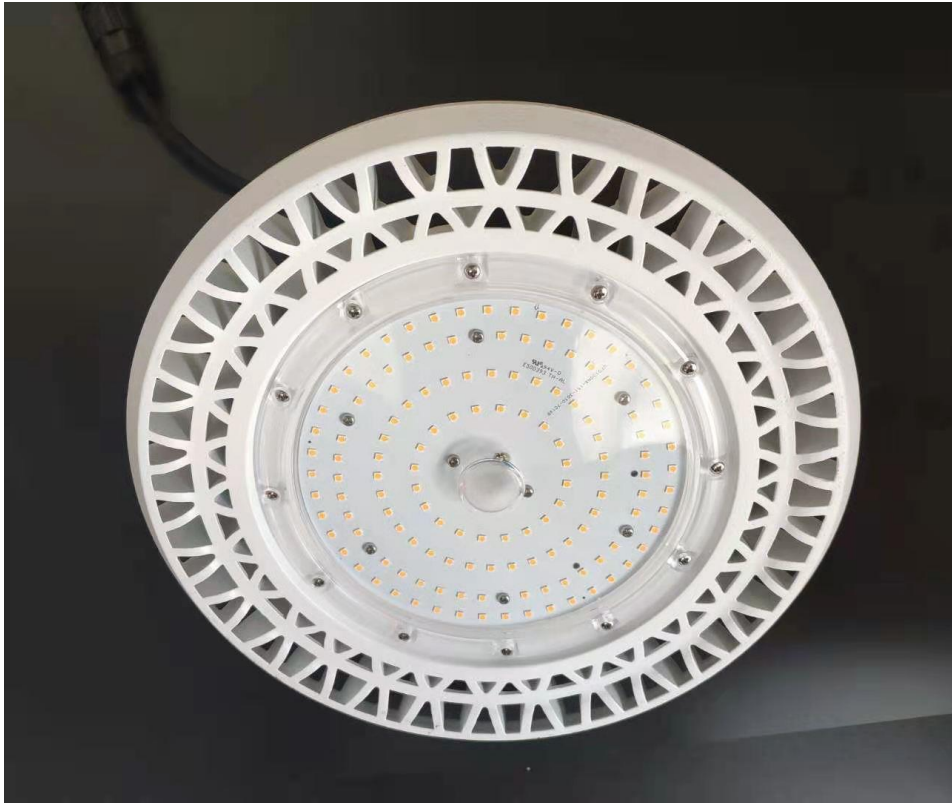


LED High Bay Datasheet



■ Application

1. Warehouse, factory and workshops;
2. Highway toll station and gas station;
3. Exhibition hall;
4. Gymnasium and supermarkets, etc.

■ Advantage

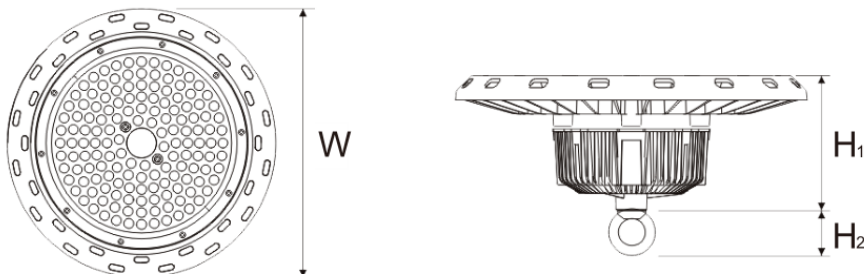
1. CE ROHS certificate.
2. Meanwell, Philips TUV standard Driver.
3. IP65 Waterproof
4. IK08
5. URG<23.
6. Easy to install and operate.
7. High Brightness 130lm/W, energy efficient
8. NO flickering.



■ Specifications

Input Power	70W
Lumen	8800LM
Lumen Efficacy	125-130LM/W
Viewing Angle	60° 90° 120° optional
Color Temperature	2700-3200K,4000-4500K,5000-5700K,6000-6500K
CRI	>80RA
Input Voltage	90-305VAC 50/60Hz
PF	≥0.95
THD	≤15%
Driver Model	Philips Driver, or Sosen Driver or Meanwell Driver
Optional Accessory	Microwave Sensor/0-10V/Dali Dimmable
LED Type	EpistarSMD3030 (1W)
LED QTY	476 PCS
Housing	Aluminum Alloy
Housing Color	Black colors
Cover	Flat clear glass
Waterproof Rating	WET (IP65)
Operating Temperature	-40℃ TO 55℃
Operating Humidity	10%- 90% RH
Storage Temperature	-40℃ TO 80℃
Storage Humidity	10%- 95% RH
Warranty Time	5Years

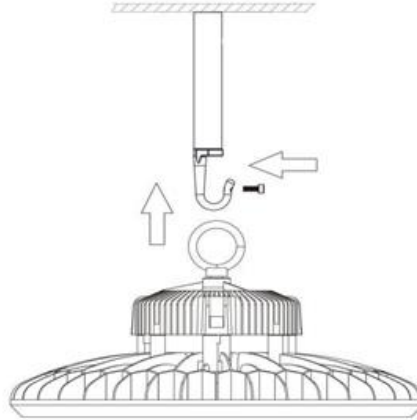
■ Dimensions



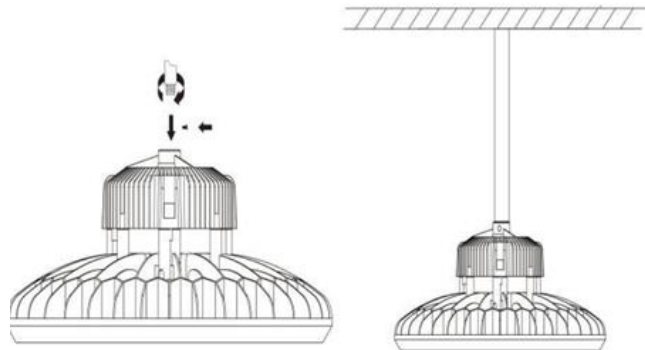
70W Size:
W: 286mm
H1+H2: 155mm

■ Installation

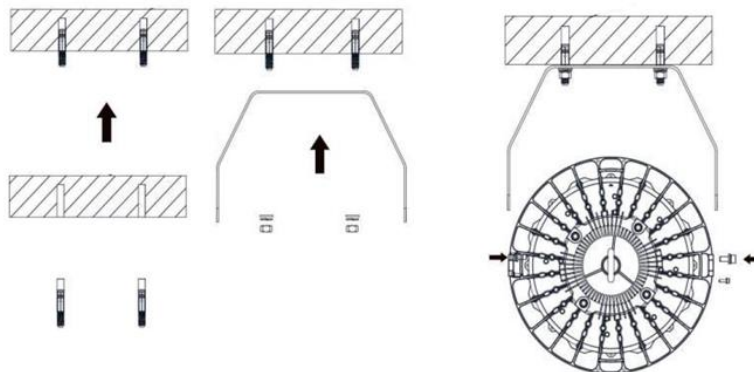
A: Hook Suspended



B: Boom Installation



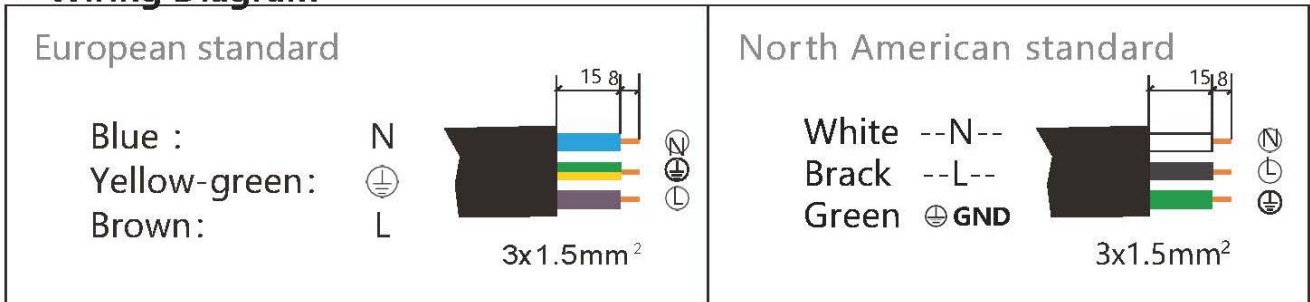
C: Surface Mounted



■ Notice for user

1. Please turn off power before install or change assembly parts.
2. The input voltage and lamps should be matched, after connecting the power line, Please make sure the wiring section is insulated.
3. No-professionals, must not install and disassemble the lamps.

⚡ Wiring Diagram



Troubles	Check points
Flickering of the light	Turn off the power and turn on again in 3 minutes. If same phenomena occur, then call agencies.
Out of working	Please check the connection.

■ Package

